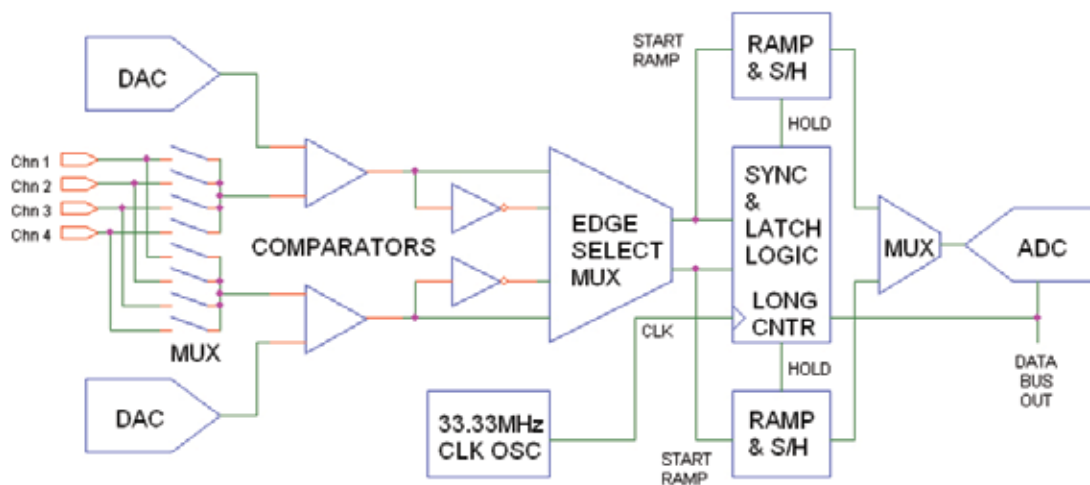




TIA (Time Interval Analyzer Board)

- Measures Risetime, Faltime, Prop Delays, & other AC Characteristics
- Relay Matrix Input connects Signals to 2 Comparators: Start & Stop
- Independent DAC's to set the Threshold Levels
- Edge-Select Mux chooses the Rising or Falling Edge of each Comparator
- Coarse Counter runs at 33.33MHz
- 2 Fine-Tune Analog Ramping Circuits finds Edges within the 30nsec period
- Programmable Clock Generator & Cycle Counter, Variable Widths & Bursts



Specifications:

- Time Interval: 10nsec min to 2msec max
- Overall accuracy: +/- 2nsec single shot
- Resolution: <100psec
- Pulse Generator: 20nsec Resolution
- Pulse Widths: 40nsec min. to 1.3msec max
- Burst Counter: Single Pulse Output, to 64K Pulses max
- PCB Size: 10.00" x 3.90", 4 Layers