



# ProductionLine

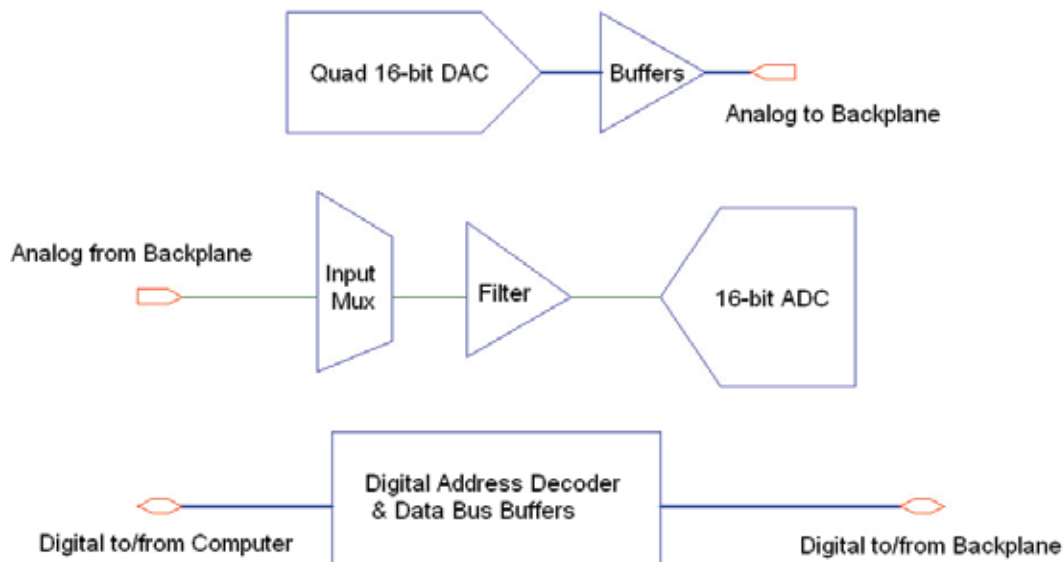
TESTERS



## IB0

(Computer Interface Board, Slot 0)

- 16-Bit Analog-to-Digital Converter, with Sallen-Keyes LP Filter
- Quad 16-Bit Digital-to-Analog Converter
- Digital Decoders & Buffers to Interface Computer to Local Tester Bus



### Specifications:

- 16-Bit ADC, Converts in 10 microseconds, No Missing Codes
- On-Chip Digital Filtering
- Generates & Controls Port Addresses & Pulses
- PCB Size: 10.85" x 6.90", 6 Layers