



ProductionLine

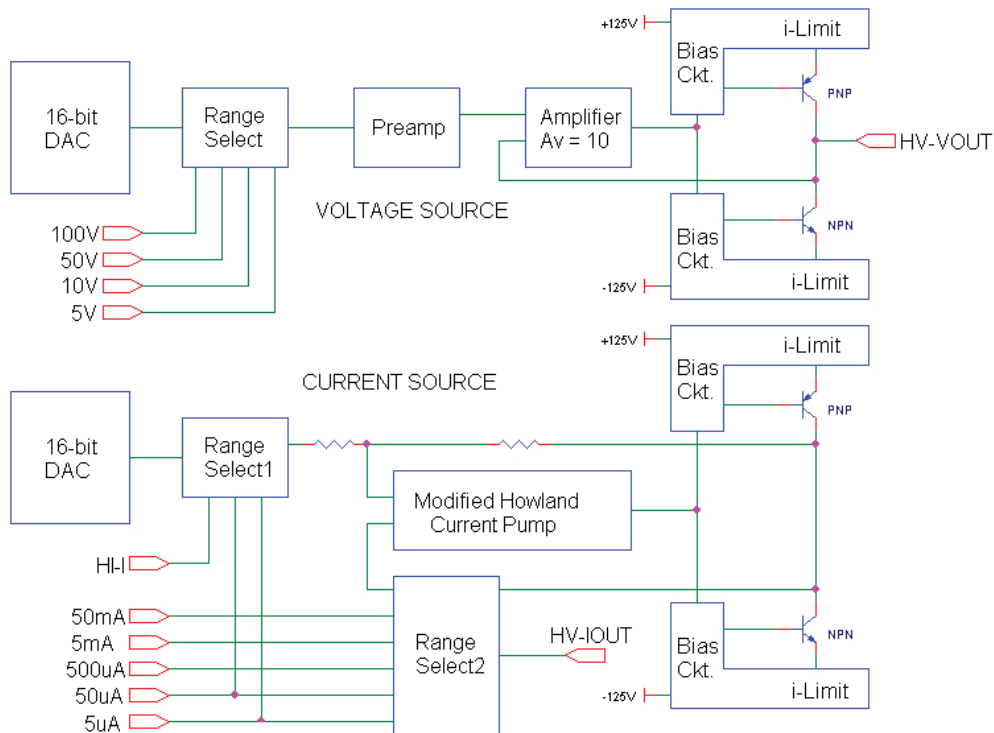
TESTERS



HIV

(High Voltage VI-Source Board)

- Independent Voltage & Current Sources, +/-100V & 50mA
- 4 Voltage Ranges & 5 Current Ranges
- True 4-Quadrant Operation provides 200V Differential Swing



Specifications:

- 4 Voltage Ranges: (all +/-) 5V, 10V, 50V, 100V
- 5 Current Ranges: (all +/-) 5uA, 50uA, 500uA, 5mA, 50mA
- Voltage Resolution: 150uV to 3mV, depending on range
- Current Resolution: 76pA to 760uA, depending on range
- Basic Overall Accuracy: 0.5%
- PCB Size: 10.00" x 3.90", 4 Layers